

Epoxy Body Conductivity Sensors - Graphite and Platinum Black

MECHANICAL INSTALLATION

SUBMERSION INSTALLATION. The sensors can be submersion mounted in a tank for conductivity measurement using gland and nut fitting pre-installed on the sensor. The fitting must first be inverted so the nut is pointed downward. Loosen the nut by turning clockwise (remember that fitting is inverted!). Slip electrode through hole in nut until desired depth is reached. Tighten nut (hand-tight) by turning counterclockwise. Refer to FIG. 1 and FIG. 2.

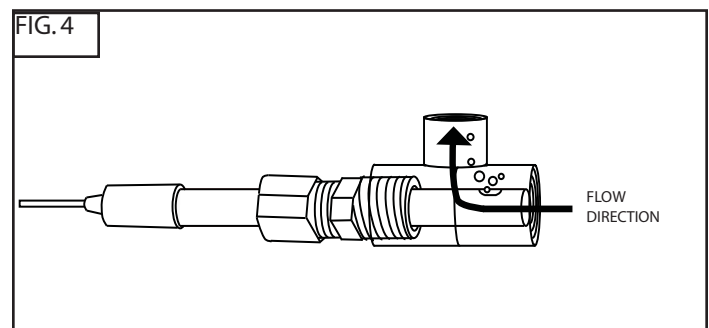
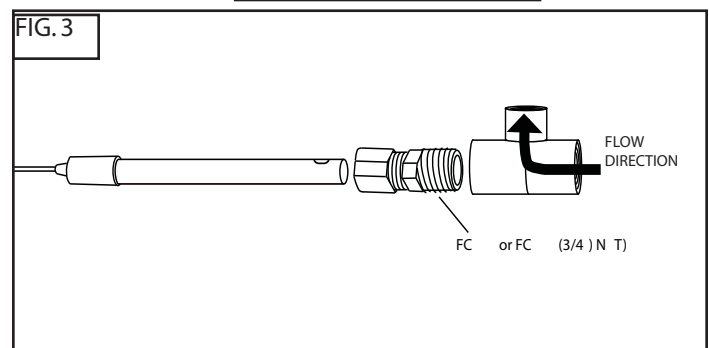
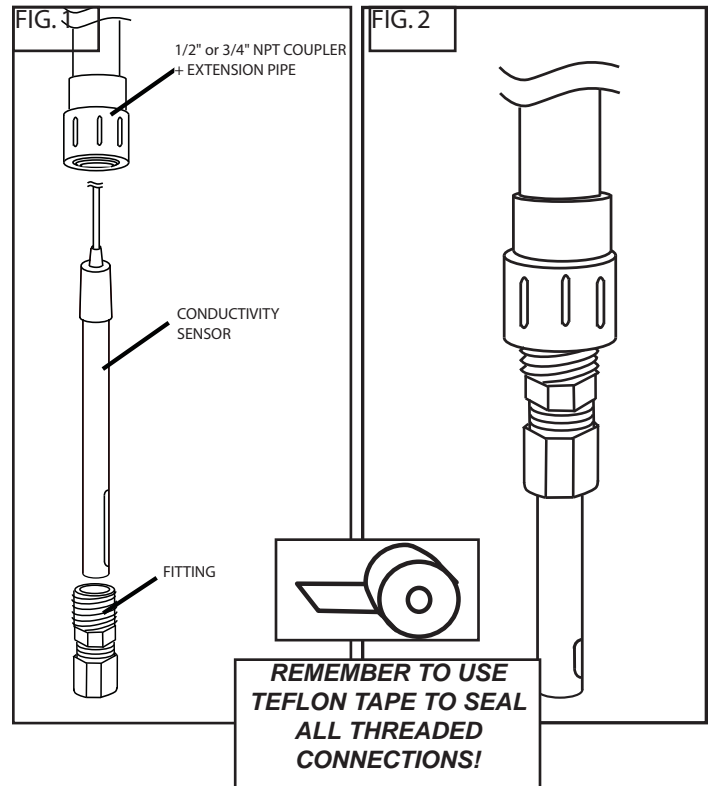
IN-LINE INSTALLATION. Mounting in-line is also possible via the pre-installed fitting. For in-line mounting it is suggested that the sensor be mounted through the side of the tee as shown in FIG. 3 and FIG.4

The sensor must also be mounted such that the opening/slot in the body is pointed upward so as to allow any air bubbles to rise out of the sensor and escape with the flow.

ELECTRODE REMOVAL. Simply reverse installation procedures above.

ELECTRICAL INSTALLATION

Your sensor has 4 wires. Two of the wires are for the conductivity cell connection and the other 2 are for the thermistor included in the sensor. The connections for the sensor are BLACK and WHITE are labeled "CELL" The temperature wires are RED and GREEN and are labeled as "TC". See FIG 5 for wiring details.



CALIBRATION

CALIBRATION. Calibrate sensor according to meter/controller manufacturer's instructions using known certified conductivity standards. Be sure and calibrate in large beaker or bucket stirring sample with electrode. Avoid bubbles as much as possible as bubbles cause erroneous readings.

CARE AND CLEANING

CLEANING. Sensors with a graphite measuring surface (Part no. DL4-SX1-000-0000 and DL4-SX2-000-0000) should be cleaned with gentle detergent or 5% HCl in cup or beaker. Do not sand or abrade the graphite surface as abrasion changes the surface area and will cause erroneous readings.

Sensors with a platinum black coated platinum measuring surface (DL4SX30000000). DO NOT TOUCH PLATINUM BLACK SURFACE SINCE IT WILL REMOVE PLATINUM BLACK COATING WHICH CANNOT BE REPLACED. Clean with 5%HCl or detergent.

