

XYR 6000 Wireless Temperature/Discrete Input Transmitter Series 400

STTW820,830,840 with direct mounted T/C or RTD
STTW401 with inputs for T/C's (3 max), RTD's (2 max) and/or
discrete inputs (3 max)

34-XY-03-29
December 2010

Specification and Model Selection Guide

Introduction

Building upon the tremendously successful ST 3000 series transmitter line; Honeywell brings simple, safe, and secure wireless technology to its measurement portfolio in the XYR 6000 Series Wireless Transmitters.

The XYR 6000 series measurements are part of the Honeywell OneWireless system and are ISA100.11a Compliant.

Measurement and information without wires! The XYR 6000 wireless transmitters series enable customers to obtain data and create information from remote and hazardous measurement locations without the need to run wires, where running wire is cost prohibitive and/or the measurement is in a hazardous location. Without wires, transmitters can be installed and operational in minutes, quickly providing information back to your system.

XYR 6000 wireless transmitters send information to an ISA.11a compliant MESH infrastructure. Wireless Data Managers (WDM) provide the path to bring that information into Experion PKS or any other control system wirelessly via OPC client or Modbus-TCP.

Transmitter power is supplied by two "D" size lithium batteries in an Intrinsically Safe module with an expected lifetime of up to ten years. Transmitter range with the integral antenna is 1000' (305 m) under ideal conditions.

The temperature/discrete input transmitter can support a combination of thermocouple inputs, RTD inputs and Discrete inputs. The temperature transmitter will simultaneously support an integral probe and external inputs. When the integral probe is a thermocouple, then two external thermocouples or one external RTD can be wired to the transmitter. When the integral probe is a RTD, then one external thermocouple or one external RTD can be wired to the transmitter. (See Figure 2)



Figure 1—XYR 6000 Temperature/DI Transmitters

Implement the value of wireless technology today:

- Measure remote access points simply, safe and securely
- Obtain and utilize previously inaccessible information due to high wiring cost or hazardous locations.
- Easily meet Regulatory Requirements
- Improve process efficiency
- Enhance Flexibility to monitor applications:
 - that have no access to power
 - that are remote or difficult to reach
 - that may require frequent reconfiguration
 - where manual readings have been required previously.

Specifications

Operating Conditions

Parameter	Reference Condition (at zero static)		Rated Condition		Operative Limits		Transportation and Storage	
	°C	°F	°C	°F	°C	°F	°C	°F
Ambient Temperature**	25 ±1	77 ±2	-40 to 85*	-40 to 185*	-40 to 85*	-40 to 185*	-40 to 85	-40 to 185
Humidity %RH	10 to 55		0 to 100		0 to 100		0 to 100	
Ambient Temperature LCD Display visible range	25 ±1	77 ±2	-20 to 70°C -4 to 158°F					
Vibration	Maximum of 4g over 15 to 200Hz.							
Shock	Maximum of 40g.							
Power	Battery power 3.6V Lithium thionyl chloride (LiSOCl ₂) batteries non rechargeable, size D							
	24VDC Wired Power (option) - For I.S. Application: 21 V to 25 Vdc Operated with MTL7728P+ barrier (252 Ohms Max. end to end resistance), Max input current 26mA. For Non I.S. application: 11 V to 30 Vdc Input range, Max input current 100mA.							

*24V power option rated 80°C (176°F)

** The Ambient Limits shown are for Ordinary Non-Hazardous locations only. Refer to the appropriate Control Drawing, FM/CSA, ATEX, or IECEx for the Ambient Limits when installed in Hazardous Locations.

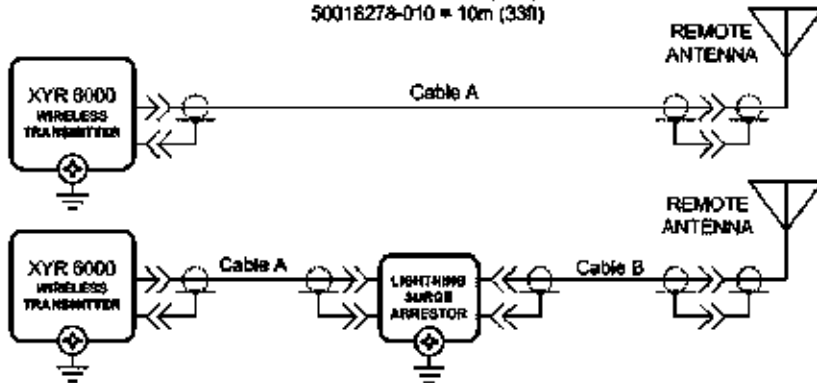
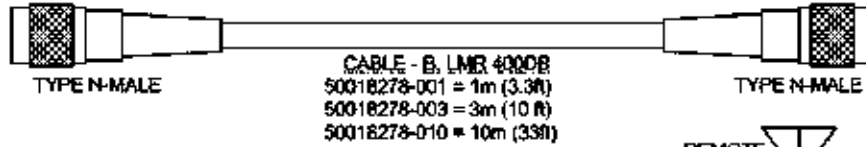
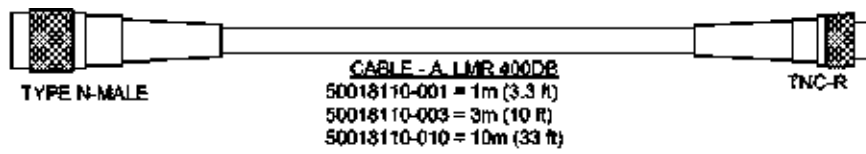
Wireless Specifications

Parameter	Description
Wireless Communication	2,400 to 2,483.5 MHz (2.4 GHz) Industrial, Scientific and Medical (ISM) band FHSS Selection – Frequency Hopping Spread Spectrum DSSS Selection – Direct Sequential Spread Spectrum per FCC 15.247 / IEEE 802.15.4–2006. ISA100.11a Compliant (2.4 GHz Direct Sequence Spread Spectrum 802.15.4 DSSS-FH). Every data packet transmitted in either direction is verified (CRC check) and acknowledged by the receiving device. USA – FCC Certified Canada – IC Certified European Union – RTTE/ETSI Conformity Japan – Ministry of Internal Affairs and Communications Certified (DSSS Selection only)
ISA100.11a RF Transmitter Power (Optional)	NA Selection – 125 mW (20.9 dBm) maximum transmit power not including antenna per FCC/IC, or 400 mW (26.0 dBm) maximum EIRP including antenna for USA and Canadian locations. EU Selection – 10 mW (10.0 dBm) maximum EIRP including antenna per RTTE/ETSI for EU locations.
FHSS RF Transmitter Power (Optional)	NA Selection – 125 mW (20.9 dBm) maximum transmit power not including antenna per FCC/IC, or 400 mW (26.0 dBm) maximum EIRP including antenna for USA and Canadian locations. EU Selection – 100 mW (20.0 dBm) maximum EIRP including antenna per RTTE/ETSI for EU locations.
DSSS RF Transmitter Power (Optional)	NA Selection – 125 mW (20.9 dBm) maximum transmit power not including antenna per FCC/IC, or 400 mW (26.0 dBm) maximum EIRP including antenna for USA and Canadian locations. EU Selection – 10 mW (10.0 dBm) maximum EIRP including antenna per RTTE/ETSI for EU locations. JP Selection – 12.14 dBm/MHz [32mW (15.14 dbm)] maximum EIRP including antenna for Japanese locations.
Data	PV Publish Cycle Time: Configurable as 1, 5, 10 or 30 seconds Rate: 250 Kbps

Antennas	<p>Integral – 2 dBi omnidirectional monopole Integral – 4 dBi omnidirectional monopole Remote – 8 dBi omnidirectional monopole with up to 20 m cable and lightning surge arrester. Remote – 14 dBi directional parabolic with up to 20 m cable and lightning surge arrester.</p>
Signal Range	<p>Nominal 305 m (1,000 feet) between Field Transmitter and Infrastructure Unit (Multinode) or Gateway Unit when using 2 dBi Integral antenna with a clear line of sight.* Two XYR 6000 transmitters both having TX Power set to 16 dBm with a clear line of site nominal signal range is 150 m (490ft.)</p>
Routing vs Non-Routing	<p>Unit can be set as a Field Routing or non-Field Routing device; the number of routing devices is set by the system manager.</p> <p>Using the device as a routing device will impact battery life, the more messages routed through a device, the greater the impact on battery life.</p>

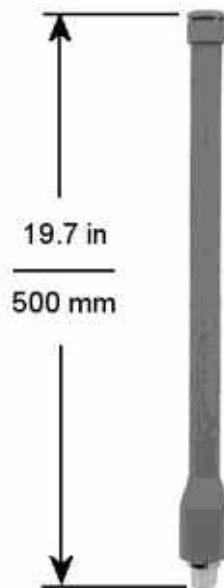
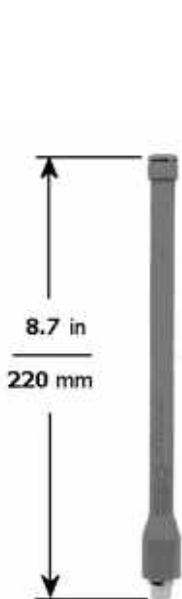
* Actual range will vary depending on antennas, cables and site topography.

Remote antenna cables



CABLE PARAMETERS			LIGHTNING SURGE ARRESTOR PARAMETERS
CABLE A, B LENGTH	CAPACITANCE	INDUCTANCE	
1 m	78.4 pF	0.2 μH	CAPACITANCE = 1 pF INDUCTANCE = 10 nH
3 m	235.2 pF	0.6 μH	
10 m	784 pF	2.0 μH	

Remote Antennas



4 dBi Omnidirectional Antenna

8 dBi Omnidirectional Antenna

14 dBi Directional Antenna

Performance under Rated Conditions

Parameter	Description
Accuracy	±0.10% of range in mV at reference conditions for linear inputs and RTDs
Temperature Effects	±0.01% of full scale per °C
Stability	±0.10% of URL per year
Stray Rejection	<i>Common Mode</i> (50 or 60 Hz): 120 dB <i>Normal Mode</i> (50 or 60 Hz): 40 dB
Maximum Lead Wire Resistance	50 ohms/leg for all analog input types
Discrete Input	Single SPST dry contacts. To maintain I.S. ratings, contacts must be limited to simple switches only. Maximum "ON" contact resistance of 300 Ohms Minimum "OFF" contact resistance of 100K Ohms Resistances must include all field wiring.
Cold Junction Accuracy	±0.5°C
Lightning Surge Arrester (Remote antenna only)	Frequency range: 0 – 3 GHz, 50 Ohms, VSWR = 1:1.3 Max, Insertion Loss = 0.4 dB Connectors Type N Female, Max, Gas Tube Element: 90 V ± 20%, Impulse Breakdown Voltage = 1,000 V ± 20%, Maximum Withstand Current = 5 KA.
CE Conformity	These transmitters are in conformity with the protection requirements of European Council Directives: 89/336/EEC, the EMC Directive and 1999/5/EC, the Telecommunications Directive per EN 300 328, V1.6.1 (2004-11), EN 300 489-1, V1.6.1 (2005-09), EN 300 489-3, V1.4.1 (2002-08) and EN 61326-1997+A1+A2, Electrical Equipment for Measurement, Control and Laboratory Use – EMC Requirements.
Hazardous Location Certifications	See the Model Selection Guide on page 7.

- Performance specifications are based on reference conditions of 25°C (77°F), zero (0) static pressure, and 10 to 55% RH.

Physical Specifications

Parameter	Description
Mounting Bracket	Carbon Steel (Zinc-plated) or Stainless Steel angle bracket or Carbon Steel flat bracket available (standard options).
Terminal Assembly wiring gauge range	28 to 16
Electronic Housing	Epoxy-Polyester hybrid paint. Low Copper-Aluminum. Meets NEMA 4X (hosedown and corrosion resistant), IP 66/67 (hosedown and submersible to 1m).
Stainless Steel Housing (option)	316 SS Electronics Housing - with M20 Conduit Connections 316 SS Housing with 1/2" NPT Conduit Connection 316 SS or Grade CF8M, the casting equivalent of 316 SS with M20 or 1/2" NPT Conduit Connection. If ordered with the Remote Antenna options, the antenna parts are not SS or Marine type cables; the integral antenna uses SS parts.
Mounting	Can be mounted in virtually any position using the standard mounting bracket. Mounting should result in the antenna being vertically oriented. Bracket is designed to mount on 2-inch (50 mm) vertical or horizontal pipe. See Figure 3.
Dimensions	See Figure 4.
Net Weight	Approximately 9 pounds (4.1 Kg)

ISA100.11a Compliant Inputs

The input channels can be configured for the following input types by using the OneWireless User Interface with the corresponding device descriptor file:

Channel 1	Channel 2	Channel 3
RTD,Ohm	RTD,Ohm	not valid
RTD,Ohm	T/C,mV	not valid
T/C,mV	RTD,Ohm	not valid
RTD,Ohm	DI	not valid
DI	RTD,Ohm	not valid
T/C,mV	T/C,mV	T/C,mV
T/C,mV	T/C,mV	DI
T/C,mV	DI	T/C,mV
T/C,mV	DI	DI
DI	T/C,mV	T/C,mV
DI	T/C,mV	DI
DI	DI	T/C,mV
DI	DI	DI

Selecting any RTD/Ohm input renders Channel 3's input terminals unavailable and it's PV and status invalid. Channel 3 should be set to Out of Service when using an RTD or Ohm input.

The transmitter measures the analog signal from temperature sensors, discrete inputs, millivolt values or ohm values and transmits a digital output signal proportional to the measured value for direct digital communications with systems.

The discrete input channels support voltage-free floating contacts. Maximum ON contact resistance is 300 ohms. Minimum OFF contact resistance is 5000 ohms.

The Process Variable (PV) is available for monitoring and alarm purposes. The cold junction temperature is also available as a fourth channel PV. Available PV update rates are 1, 5, 10, 30 seconds and are set using the Wireless Builder. Slower update rates extend battery life.

Input Types and Ranges

Input Type	Range Deg.F	Range Deg.C
Pt100 RTD (alpha 0.00385)	-300 to +1200	-184 to +649
Pt200 RTD	-300 to +1200	-184 to +649
Pt500 RTD	-300 to +1200	-184 to +649
Type B T/C	0 to 3300	-18 to +1816
Type E T/C	-454 to +1832	-270 to +1000
Type J T/C	0 to 1600	-18 to + 871
Type K T/C	0 to 2400	-18 to +1816
Type N T/C	0 to 2372	-18 to +1300
Type R T/C	0 to 3100	-18 to +1704
Type S T/C	0 to 3100	-18 to +1704
Type T T/C	-300 to +700	-184 to +371
Millivolts	0 to 10 0 to 50 0 to 100	
Resistance (Ohms)	0 to 100Ω 0 to 200Ω 0 to 500Ω 0 to 1000Ω	

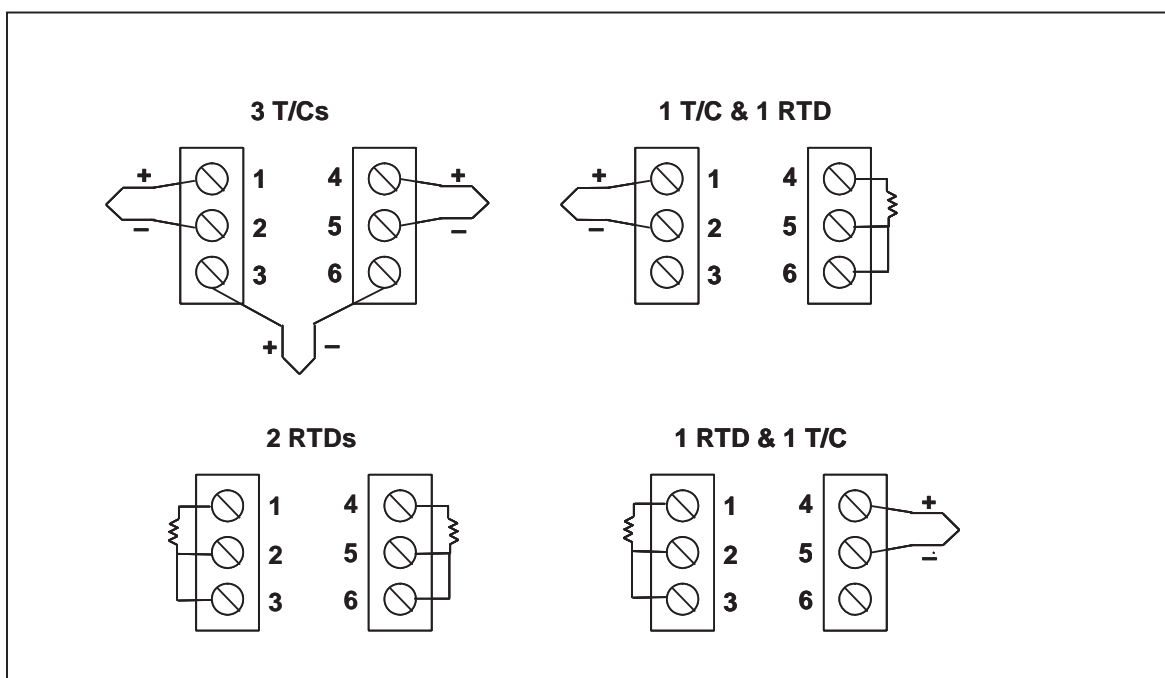
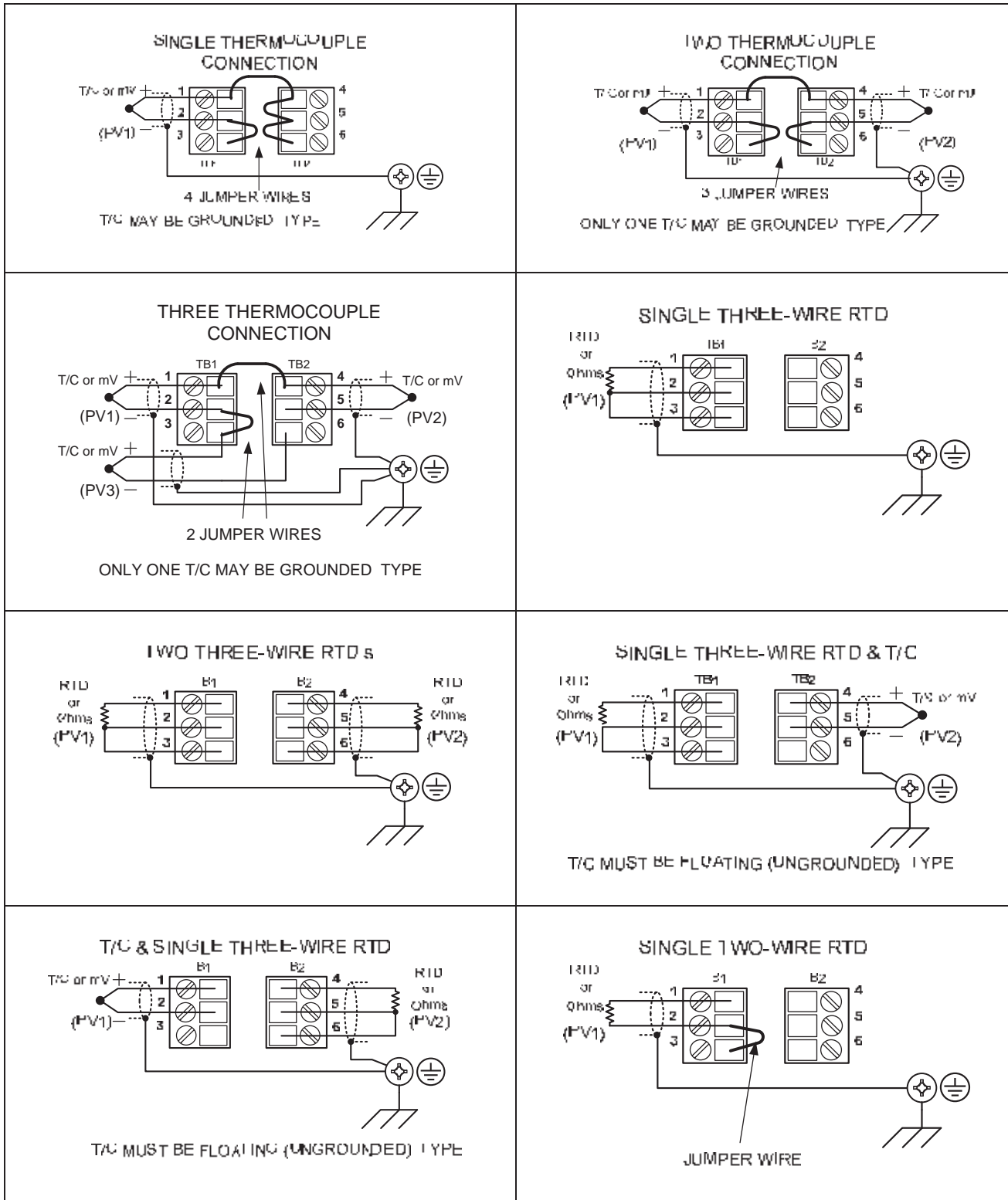


Figure 2—XYR6000 Temperature Transmitter Field Wiring

XYR6000 Temperature Transmitter Field Wiring for Discrete Inputs



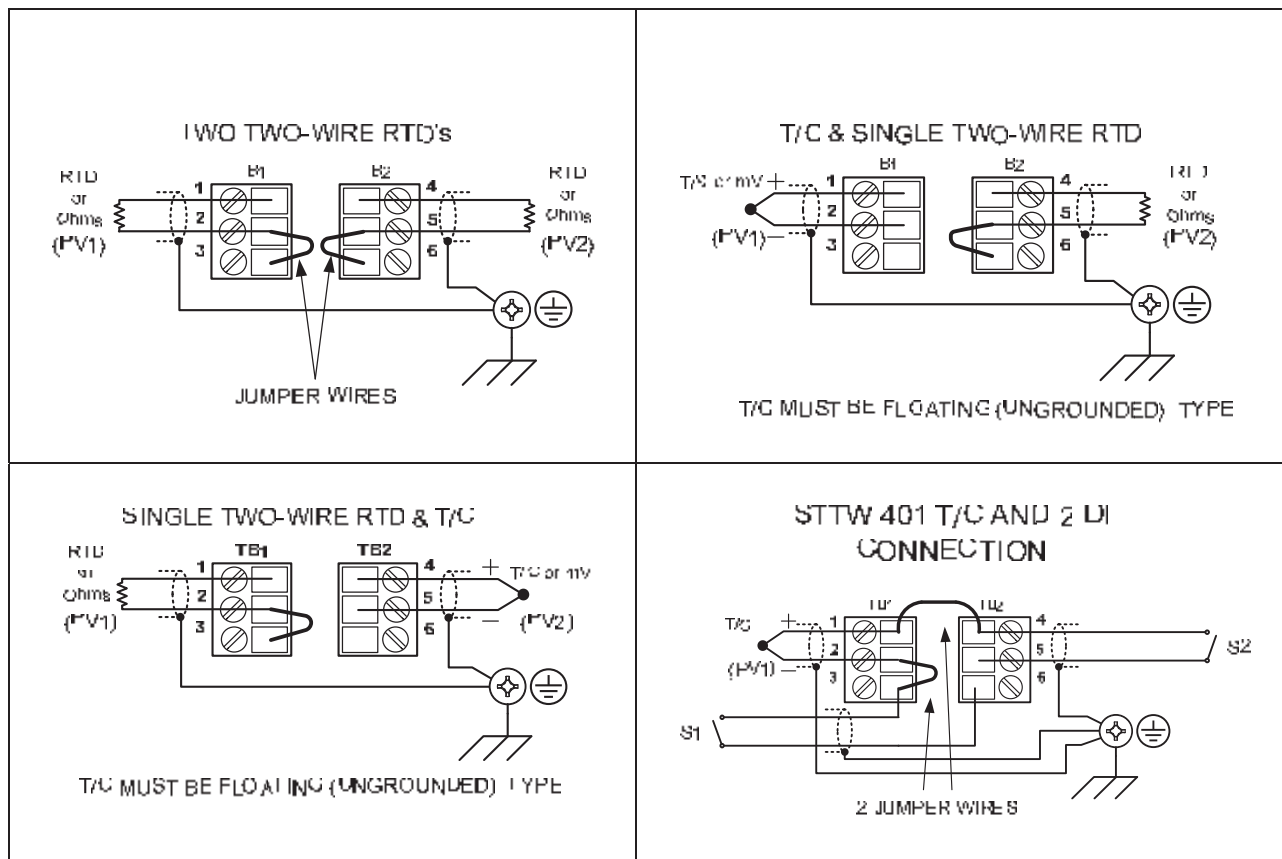


Figure 3—XYR 6000 Temperature Transmitter Field Wiring for Discrete Inputs

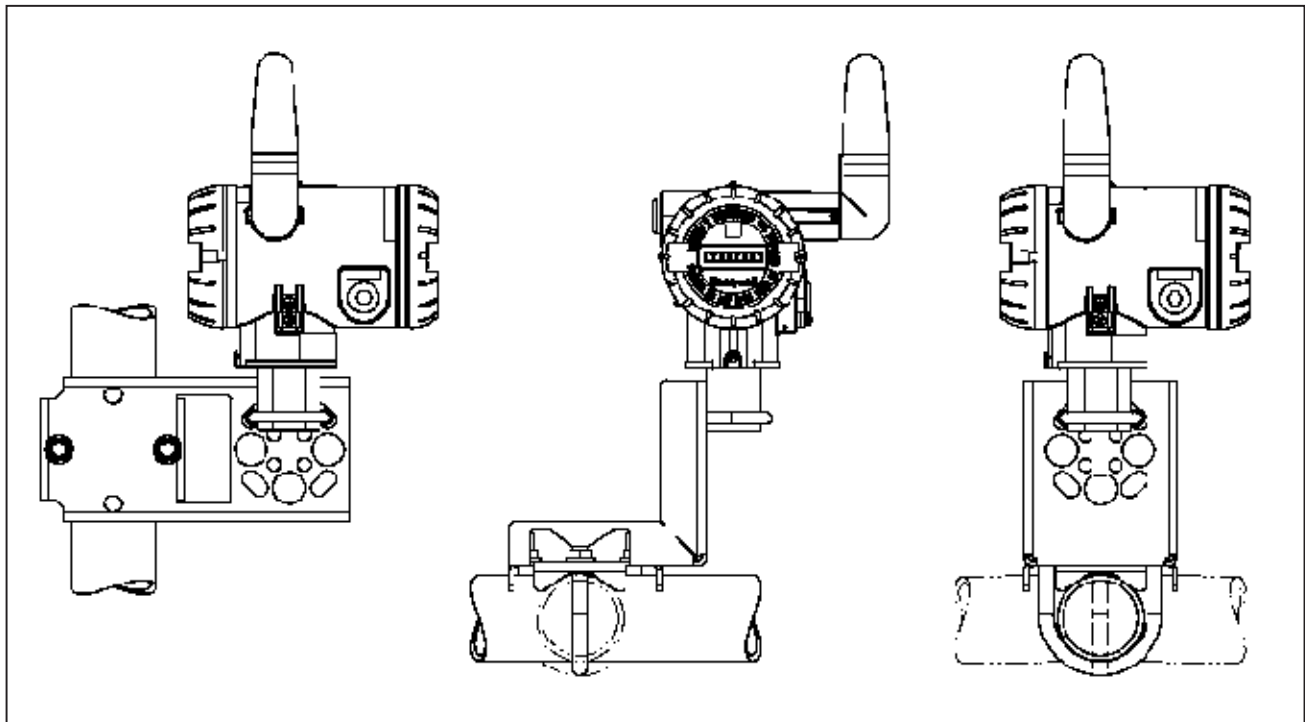


Figure 3—Examples of typical mounting positions

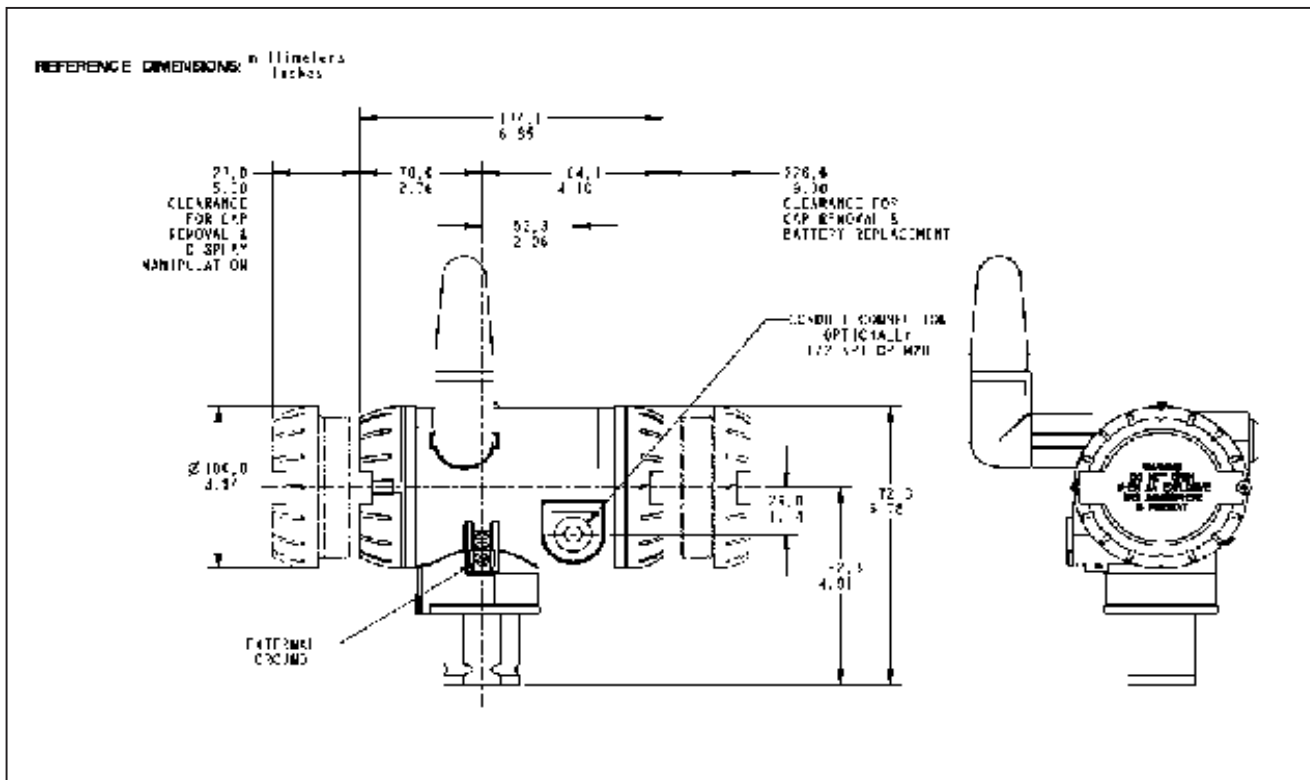


Figure 4—Typical mounting dimensions for reference.

Options	Ordering Information
<p>Mounting Bracket The angle mounting bracket is available in either zinc-plated carbon steel or stainless steel and is suitable for horizontal or vertical mounting on a two inch (50 millimeter) pipe, as well as wall mounting. An optional flat mounting bracket is also available in carbon steel for two inch (50 millimeter) pipe mounting.</p>	<p>Contact your nearest Honeywell sales office, or</p> <p>In the U.S.: Honeywell Process Solutions 1860 West Rose Garden Lane. Phoenix, AZ 85053 1-800-423-9883</p> <p>In Canada: The Honeywell Centre 155 Gordon Baker Rd. North York, Ontario M2H 3N7 1-800-461-0013</p> <p>In Latin America: Honeywell Inc. 480 Sawgrass Corporate Parkway, Suite 200 Sunrise, FL 33325 (954) 845-2600</p> <p>In Europe and Africa: Honeywell S. A. Avenue du Bourget 1 1140 Brussels, Belgium</p> <p>In Eastern Europe: Honeywell Praha, s.r.o. Budejovicka 1 140 21 Prague 4, Czech Republic</p> <p>In the Middle East: Honeywell Middle East Ltd. Khalifa Street, Sheikh Faisal Building Abu Dhabi, U. A. E.</p> <p>In Asia: Honeywell Asia Pacific Inc. Honeywell Building, 17 Changi Business Park Central 1 Singapore 486073 Republic of Singapore</p> <p>In the Pacific: Honeywell Pty Ltd. 5 Thomas Holt Drive North Ryde NSW Australia 2113 (61 2) 9353 7000</p> <p>In Japan: Honeywell K.K. 14-6 Shibaura 1-chrome Minato-ku, Tokyo, Japan 105-0023</p> <p>Or, visit Honeywell on the World Wide Web at: www.honeywell.com/ps</p>
<p>Tagging (Option TG) Up to 30 characters can be added on the stainless steel nameplate mounted on the transmitter's electronics housing at no extra cost. A stainless steel wired on tag with additional data of up to 4 lines of 28 characters is also available. The number of characters for tagging includes spaces.</p>	
<p>Transmitter Configuration All configurable parameters are accessible via the OneWireless network via READ/WRITE transactions.</p>	

Specifications are subject to change without notice.

Model Selection Guides are subject to change and are inserted into the specifications as guidance only. Prior to specifying or ordering a model check for the latest revision Model Selection Guides which are published at: <http://hpsweb.honeywell.com/Cultures/en-US/Products/Instrumentation/ProductModelSelectionGuides/default.htm>

Model Selection Guide (34-XY-16-46)



34-XY-16U-46
Issue 16
Page 1 of 4

**XYR 6000 Wireless
Temperature / Discrete Input
Transmitter - Series 400**

Model Selection Guide

Honeywell Proprietary

Instructions

- Choose availability column based on mounting configuration.
- A (•) dot denotes unrestricted availability. A letter denotes restricted availability.
- Blank denotes unavailable - choose alternate mounting. Restrictions follow Table V.
- Select the desired Key Number based on the desired communications protocol.
- Select options and approvals from Tables.

Key Number I II III IV V

_____	- 000	- 0000	- _____	- _____	- _____
-------	-------	--------	---------	---------	---------



Key Number	Description	Selection	Availability	
	Wireless Temperature Transmitter	STTW400	↓	
	Wireless Temperature/Discrete Input Transmitter	STTW401		↓

TABLE I

No selection		000	•	•
--------------	--	-----	---	---

TABLE II

No selection		0000	•	•
--------------	--	------	---	---

TABLE III - ANTENNA OPTIONS

Antennas	Integral Right-angle, vertical 2dBi	V _ _ _ _	d	d
	Integral Straight, horizontal 2dBi	S _ _ _ _	d	d
	Integral Right-angle, vertical 4dBi	R _ _ _ _	d	d
	Remote Omnidirectional, 8 dBi	M _ _ _ _	p	p
	Remote Directional, 14 dBi	D _ _ _ _	e	e
	Remote Antenna Adapter, Type N Connection	A _ _ _ _	d	d
Cable A for Remote Antenna	None	_ 0 0 _ _	•	•
	1.0m remote Cable A, Type TNC (Req'd to connect to XYR 6000)	_ 0 1 _ _	f	f
	3.0m remote Cable A, Type TNC (Req'd to connect to XYR 6000)	_ 0 3 _ _	f	f
	10.0m remote Cable A, Type TNC (Req'd to connect to XYR 6000)	_ 1 0 _ _	f	f
	1.0m remote Cable A, Type N (Req'd to connect to XYR 6000)	_ 2 1 _ _	j	j
	3.0m remote Cable A, Type N (Req'd to connect to XYR 6000)	_ 2 3 _ _	j	j
Cable B for Remote Antenna w/Accessories*	None	_ _ _ 0 0	•	•
	Accessory + 1.0m Cable B to Antenna, N - N	_ _ _ 0 1	•	•
	Accessory + 3.0m Cable B to Antenna, N - N	_ _ _ 0 3	•	•
	Accessory + 10.0m Cable B to Antenna, N - N	_ _ _ 1 0	•	•

* See Supplemental Accessories

See STTW820, STTW830 or STTW840 for transmitter with direct mounted T/C or RTD.

TABLE IV - OPTIONS		STTW401 STTW400 Selection			
Radio Options (Must Choose a Radio Option)					
2.4 GHz Frequency Hopping Spread Spectrum (FHSS)	XF	•	•		b
2.4 GHz Direct Sequence Spread Spectrum (802.15.4 DSSS)	XD	•	•		
ISA 100.11a Compliant (2.4 GHz Direct Sequence Spread Spectrum 802.15.4 DSSS-FH)	XS	•	•		
Power Option (Must Choose Power Option)					
Battery Holder Only - No Battery Included	00	•	•		b
Battery Power	BA	•	•		
24VDC	DC	•	•		
Transmitter Housing & Electronics Options					
M20 Conduit Thread (1/2" NPT is standard)	A1	f	f		b
1/2" NPT to 3/4" NPT 316 SS Conduit Adapter	A2	g	g		
1/2" NPT to 3/4" NPT 316 SS Conduit Adapter (Quantity of 2 for 24VDC Option)	A4	m	m		
316 SS ^{1, 2} Electronic Housing - with M20 Conduit Connections	SH	•	•		b
316 SS ^{1, 2} Housing with 1/2" NPT Conduit Connection	A3	•	•		
Stainless Steel Customer Wired-On Tag (4 lines, 28 characters per line, customer supplied information)	TG	•	•		b
Stainless Steel Customer Wired-On Tag (blank)	TB	•	•		
End Cap Warning Label in Spanish	SP	•	•		b
End Cap Warning Label in Portuguese	PG	•	•		
End Cap Warning Label in Italian	TL	•	•		
End Cap-Warning Label in German	GE	•	•		
Transmitter Mounting Brackets Options					
Mounting Bracket - Carbon Steel	MB	•	•		b
Mounting Bracket - 304 SS	SB	•	•		
Flat Mounting Bracket - Carbon Steel	FB	•	•		
Services/Calibration/Conformance Options					
User's Manual Paper Copy	UM	•	•		b
Calibration Test Report and Certificate of Conformance (F3399)	F1	•	•		
Certificate of Conformance (F3391)	F3	•	•		
Certificate Options					
Certificate of Origin (F0195)	F5	•	•		
Warranty Options					
Additional Warranty - 1 year	W1	•	•		b
Additional Warranty - 2 years	W2	•	•		

Note: Chosen Operator's Manuals and chosen Certificates are automatically shipped with unit.

See 13:STT-OE pages for additional manuals and alternate shipping.

¹ Supplied as 316 SS or as Grade CF8M, the casting equivalent of 316 SS.

² If ordered with Remote Antenna option, Table III Selection M or D, antenna parts are not SS or Marine type cables

STTW401
STTW400
Selection

TABLE IV - Options (Continued)

Certificate	Approval Type	Location or Classification			
No hazardous location approvals			9X	•	•
FM	Intrinsically Safe	Class I, II, III, Div. 1, Groups A,B,C,D,E,F,G; T4, Ta ≤ 85°C; Type 4X	1C	•	•
	Explosion-proof	Class I, AEx ia IIC; T4, Ta ≤ 85°C, Zone 0; IP66 Class I, Div. 1, Groups A,B,C,D; Cl II, Div. 1, Groups E, F & G; Cl III, Div. 1, T4, Ta ≤ 85°C; Type 4X			
	Nonincendive	Class I, AEx d IIC; T4, Ta ≤ 85°C, Zone 1; IP66			
	Non-Sparking	Class I, Div. 2, Groups A,B,C,D; T4, Ta ≤ 85°C; Type 4X Class I, AEx nA IIC; T4, Ta ≤ 85°C, Zone 2; IP66			
CSA cus	Nonincendive	Nonincendive, CL I, Div 2, Groups A,B,C & D, CL II & III, Div 2, Groups F & G, T4 Ta = 85°C	2N	•	•
	Non-Sparking	Class I, Ex/AEx nA IIC; T4, Ta ≤ 85°C, Zone 2; IP66	2C	•	•
	Intrinsically Safe	Class I, Div. 1, Gp A,B,C,D; Class II, Div 1, Gp E,F,G; Class III, Div 1; T4, Ta ≤ 85°C; Type 4X			
	Explosion-proof	Class I, Ex/AEx ia IIC; T4, Ta ≤ 85°C, Zone 0; IP66 Class I, Div. 1, Groups A,B,C,D; Class II, Div. 1, Groups E, F & G; Class III, Div. 1, T4, Ta ≤ 85°C; Type 4X			
	Nonincendive	Class I, Ex/AEx d IIC; T4, Ta ≤ 85°C, Zone 1; IP66			
	Non-Sparking	Class I, Div. 2, Groups A,B,C,D; T4, Ta ≤ 85°C; Type 4X Class I, Ex/AEx nA IIC; T4, Ta ≤ 85°C, Zone 2; IP66			
ATEX	Intrinsically Safe	Ex II 1 GD; Ex ia IIB; T4, Ta ≤ 70°C, Zone 0; IP66 Ex tD A20 IP66 T90°C	3U	•	•
	Flameproof	Ex II 2 GD; Ex d [ia] IIB; T4, Ta ≤ 70°C, Zone 1; IP66 Ex tD A21 IP66 T90°C	3B	•	•
	Non-Sparking	Ex II 3 GD; Ex nA [nL] IIC; T4, Ta ≤ 84°C, Zone 2 Ex tD A22 IP66 T90°C	3Y	•	•
	Intrinsically Safe	Ex II 1 GD; Ex ia IIB; T4, Ta ≤ 70°C, Zone 0; IP66 Ex tD A20 IP66 T90°C	3C*	•	•
	Flameproof	Ex II 2 GD; Ex d [ia] IIB; T4, Ta ≤ 70°C, Zone 1; IP66 Ex tD A21 IP66 T90°C			
	Non-Sparking	Ex II 3 GD; Ex nA IIC; T4, Ta ≤ 84°C, Zone 2 Ex tD A22 IP66 T90°C			
IECEx Australia & New Zealand	Intrinsically Safe	Ex ia IIB; T4, Ta ≤ 70°C, Zone 0; IP66 Ex tD A20 IP66 T90°C	CU	•	•
	Flameproof	Ex d [ia] IIB; T4, Ta ≤ 70°C, Zone 1; IP66 Ex tD A21 IP66 T90°C	CB	•	•
	Non-Sparking	Ex nA [nL] IIC; T4, Ta ≤ 84°C, Zone 2; IP66 Ex tD A22 IP66 T90°C	CY	•	•
	Intrinsically Safe	Ex ia IIB; T4, Ta ≤ 70°C, Zone 0; IP66 Ex tD A20 IP66 T90°C	C1*	•	•
	Flameproof	Ex d [ia] IIB; T4, Ta ≤ 70°C, Zone 1; IP66 Ex tD A21 IP66 T90°C			
	Non-Sparking	Ex nA [nL] IIC; T4, Ta ≤ 84°C, Zone 2; IP66 Ex tD A22 IP66 T90°C			
SAEx South Africa	Intrinsically Safe	Ex ia IIB; T4, Ta ≤ 70°C, Zone 0; IP66 Ex tD A20 IP66 T90°C	ZU	•	•
	Flameproof	Ex d [ia] IIB; T4, Ta ≤ 70°C, Zone 1; IP66 Ex tD A21 IP66 T90°C	ZB	•	•
	Non-Sparking	Ex nA [nL] IIC; T4, Ta ≤ 84°C, Zone 2; IP66 Ex tD A22 IP66 T90°C	ZY	•	•
	Intrinsically Safe	Ex ia IIB; T4, Ta ≤ 70°C, Zone 0; IP66 Ex tD A20 IP66 T90°C	ZC*	•	•
	Flameproof	Ex d [ia] IIB; T4, Ta ≤ 70°C, Zone 1; IP66 Ex tD A21 IP66 T90°C			
	Non-Sparking	Ex nA [nL] IIC; T4, Ta ≤ 84°C, Zone 2; IP66 Ex tD A22 IP66 T90°C			
INMETRO Brazil	Intrinsically Safe	Ex ia IIC; T4, Ta ≤ 85°C, Zone 0; IP 66	6C*		
	Flameproof	Ex d IIC; T4, Ta ≤ 85°C, Zone 1; IP 66			
	Non-Sparking	Ex nA IIC; T4, Ta ≤ 85°C, Zone 2; IP 66			

* The user must determine the type of protection required for installation of the equipment. The user shall then check the box [✓] adjacent to the type of protection used on the equipment certification nameplate. Once a type of protection has been checked on the nameplate, subsequently the equipment shall not be reinstalled using any of the other certification types.

WARNING – Division 2 / Zone 2 apparatus may only be connected to processes classified as non-hazardous or Division 2 / Zone 2. Connection to hazardous (flammable or ignition capable) Division 1 / Zone 0, or 1 process is not permitted.

TABLE V Availability

Country	(Must Choose a Country Code)	Country Code	
North America, Canada		NA00	•
European Union		EU00	•
Japan		JP00	n

RESTRICTIONS

Restriction Letter	Available Only With Selection		Not Available With Selection	
	Table		Table	
b	Select only one option from this group			
d	III	_ 00 _ _ , _ _ _ 00		
e			III	_ 00 _ _
f			IV	SH, A3
g			IV	DC, SH, A1
j	IV	SH, A3		
m			IV	BA, SH, A1
n	IV	9X		
p			V	JP00

Honeywell Proprietary

34-XY-16U-46
Page: XYR-72b
Page 1 of 4

Supplemental Accessories & Kits

Description	Part Number	List Price
1/2 NPT Socket Plug (ZN Plated CS)	50021832-001	**
1/2 NPT Certified Conduit Plug (SS)	50021832-002	**
M20 Certified Conduit Plug (SS)	50000547-001	**
M20 Conduit Plug (ZN Plated CS)	50000547-002	**
Surge Diverter*	50018279-090	**
Lithium Thionyl Chloride Batteries (Qty 2)	50026010-501	**
Lithium Thionyl Chloride Batteries (Qty 4)	50026010-502	**
Lithium Thionyl Chloride Batteries (Qty 10)	50026010-503	**

** Consult Honeywell Order Entry System for current pricing.

* Surge Diverter Accessory supplied with Table III, Selections XXX01, XXX03, XXX10

OneWireless and XYR are trademarks and Experion is a registered trademark of Honeywell International Inc.



Honeywell Field Solutions

1860 West Rose Garden Lane
Phoenix, Arizona 85027
Tel: 1-800-423-9883

www.honeywell.com/ps/hfs

34-XY-03-29
December 2010
© 2009-10 Honeywell International Inc.